



Here you get tested safety as we demand more during the lowering process from our products.

The allowed loadabilities are much higher than required on site. Even after many years of employment, your SBH shoring plate is still reliably usable.

We give you our word.

**Safety shown in cross section.
The stable construction ensures frequent uses.**

- 1 Extremely reinforced head**
- which withstands the loads occurring.
- 2 Solid side profile**
- with additional straps for a better moment bearing and to minimize deformations.
- 3 Robust cutting edge**
- as with the head - reinforced with straps, cuts even stable grounds.



STANDARD BOX

Series 600

Loadable

Durable

Robust



SBH Tiefbautechnik GmbH
Ferdinand-Porsche Straße 8
D - 52525 Heinsberg

Tel. +49 (0) 24 52/91 04 0
Fax +49 (0) 24 52/91 04 50

info@sbh-tiefbautechnik.com
www.sbh-tiefbautechnik.com



STANDARD BOX

Series 600

The Power Package among trench xoxes

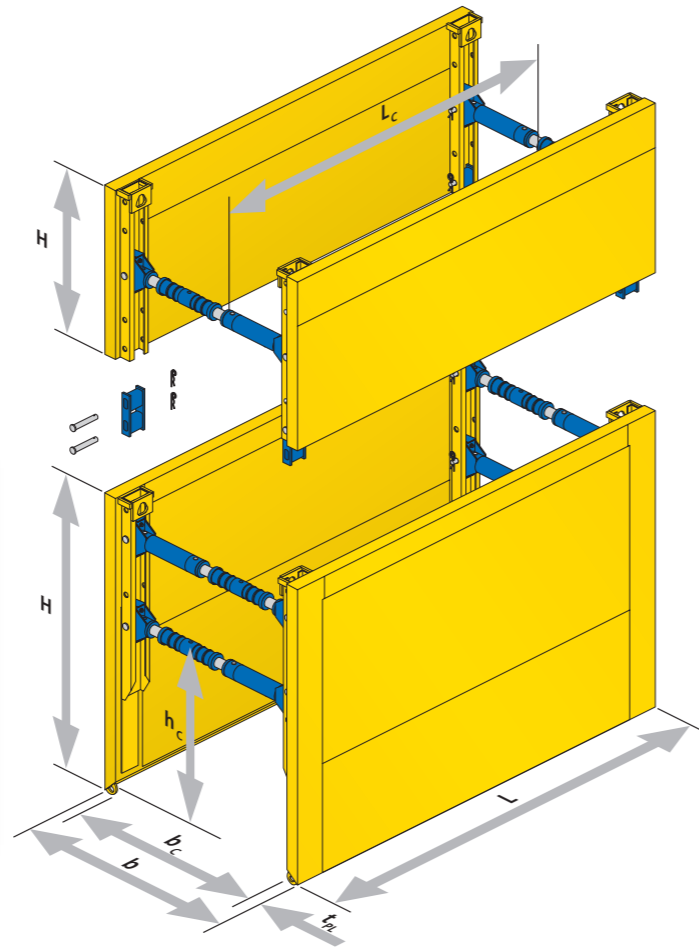
Choose the SBH Shoring, Series 600:

- the robust, durable trench box for fast shoring progress
- ideal for inner city pipe laying
- using the cut-and lower-method and even usable with high loadings
- stable spindle system which centres itself

Fast installation and removal with simple socket and pin system.

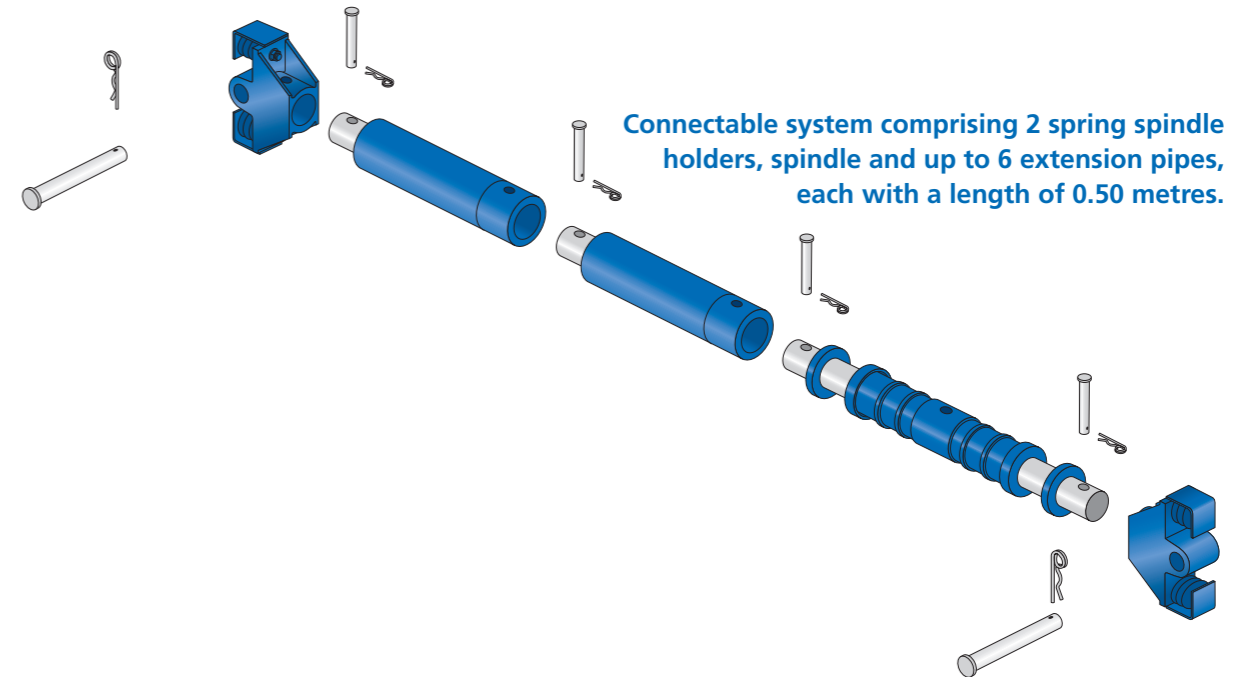


Greater trench depths by using top boxes.



Plates

Plate length L [m]	Plate height H [m]	Thickness t_{PL} [m]	Pipe clearance length L_c [m]	Pipe clearance height h_c [m]	Permissible earth pressure [kN/m ²]	Weight per box [kg]	
3.00	2.40	107	2.60	1.50	47.5	1950	
	2.60					2075	
	1.40					1205	
3.50	2.40		40.7	3.10	1.50	40.7	2180
	2.60						2320
	1.40						1350
3.70	2.40		38.5	3.30	1.50	38.5	2270
	2.60						2445
	1.40						1410
4.00	2.40		35.6	3.60	1.50	35.6	2400
	2.60						2560
	1.40						1495
4.50	2.40	127	4.10	1.50	33.7	2910	
	2.60					3090	
	1.40					1880	
5.00	2.40		30.3	4.60	1.50	30.3	3160
	2.60						3360
	1.40						2050
5.50	2.40	27.6	5.10	1.50	27.6	3415	
	2.60					3635	
	1.40					2220	
6.00	2.40	24.5	5.60	1.50	24.5	3670	
	2.60					3910	
	1.40					2390	



Spindle type 031/085 blue

Number of extension pipes a 0,50m	Spindle length/ Working width b_c [m]	Trench width b [m]	Permissible compressive force F [kN]	Weight G [kg]
0	0.98 – 1.26	1.20 – 1.48	468	65.0
1	1.48 – 1.76	1.70 – 1.98	403	84.8
2	1.98 – 2.26	2.20 – 2.48	348	104.6
3	2.48 – 2.76	2.70 – 2.98	299	124.4
4	2.98 – 3.26	3.20 – 3.48	254	144.2
5	3.48 – 3.76	3.70 – 3.98	210	164.0
6	3.98 – 4.26	4.20 – 4.48	165	183.8

What would a trench box be without a stable spindle?

In the trench shoring sector, the spindle often shows the weak point of the assembly.

Not at SBH. The the spindle here consists of a solid cast body and threaded parts made of solid material. The flanged spigot centres the spindle within the spring spindle holder and within the extension pieces. Because of this a continuity of strength is guaranteed.

The indicated permissible compressive forces were substantiated by extensive bench tests.

Spindles cannot be more easy to take apart.



Simply remove the gasket ring once a year, loosen the safety screw, turn out the threaded part completely, clean and re-grease. Ready! Maintained this way, the spindle still turns freely after many civil engineering projects.